

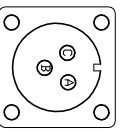
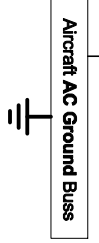
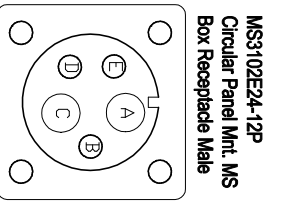
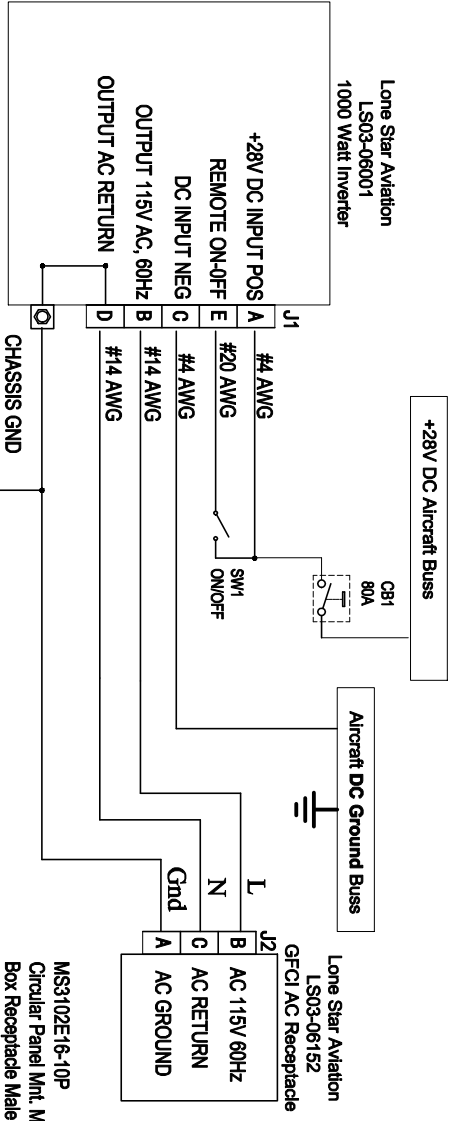
Lone Star Aviation, Corp.
 604 S. Wisteria Street
 Mansfield, Texas 76063
 682-518-8882
 682-518-8831 fax
 www.lonestaraviation.com

REVISION BLOCK			
REV	ECN #	ZONE	DESCRIPTION OF CHANGE(S)
REV-0	N/A	N/A	INITIAL RELEASE

CAUTION

Do Not install GFCI type receptacles in Critical Care Patient Areas or on circuits that power Life Support Equipment. Interruption of power to this Critical Equipment will occur if the GFCI is tripped.

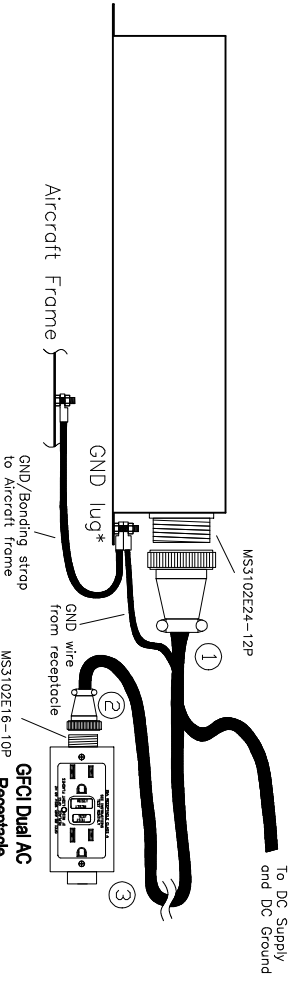
J1 Pin	J2 Pin	Description:	Wire AWG:
A	A	Input 28 VDC	#4 AWG
B	B	115 VAC Line	#14 AWG
C	C	Input DC Ground	#4 AWG
D	C	115 VAC Return	#14 AWG
E		Remote On-Off	#20 AWG
Gnd	A	Ground Lug	#4 AWG



Reference: Refer to FAA AC 43.13 Acceptable Methods, Techniques, and Practices - Aircraft Alterations when installing the Inverter.

Inverter Mating Connector: J1
 For installation, use recommended mating connector LS03-06051 (MS3106E/F24-12S)
 See table for wire gauge sizes.

Receptacle Mating Connector: J2
 For installation, use recommended mating connector, LS03-06053 (MS3106E/F16-10S) or custom mating harness kit, LS03-06063 (MS3106E/F24-12S & MS3106E/F16-10S)



Bonding of Ground terminal to the Aircraft frame, is essential for Safety and Proper Operation of the Inverter

3	LS03-06152	Receptacle, AC Dual w/GFCI, NEMA 5-15							
2	LS03-06053	Connector Kit, A/C Receptacle							
1	LS03-06051	Connector Kit, 1K Watt Inverter							

ITEM #	PART NO.	DESCRIPTION	PROPRIETARY
UNLESS NOTED OTHERWISE TOLERANCE BLOCK: DIMENSIONS ARE IN INCHES DECIMALS ±1° ANGULAR			
XX	± .030		
XXX	± .015		
XXXX	± .0005		
DD	DD	DD NOT SCALE DRAWING	

TITLE	DRAWING NO.	SCALE
Wiring Diagram	LSPE-06001C	A
Inverter & Receptacle		NONE

DRAWN BY	LD	DATE	APPROVED BY	JEM	DATE
		1-12-17			5-12-17

REV	REV. DESCRIPTION	DATE
1 of 1	LSPE-06001C	7-13-17



AVIATION CORP.
 Mansfield, Texas