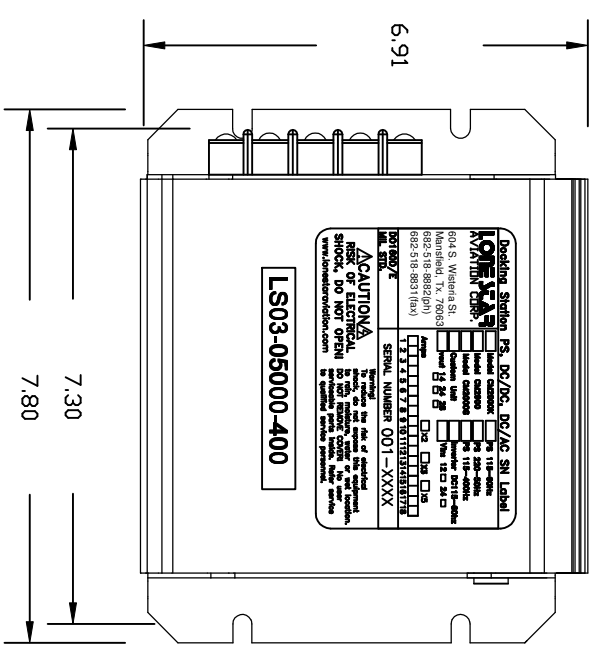
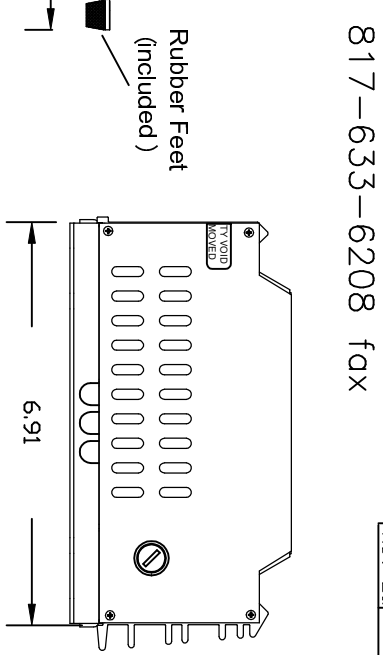
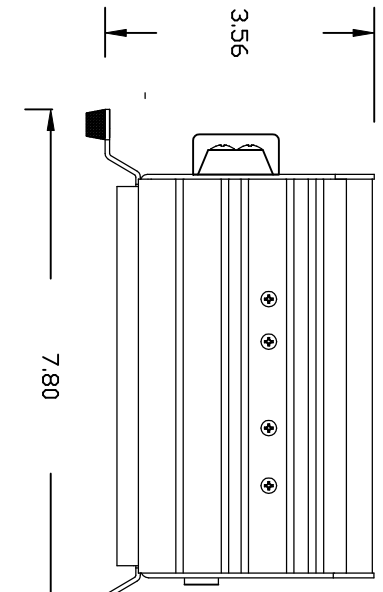


Lone Star Aviation Corp.  
 604 S. Wisteria Drive  
 Mansfield, Texas 76063  
 817-633-6103  
 817-633-6208 fax

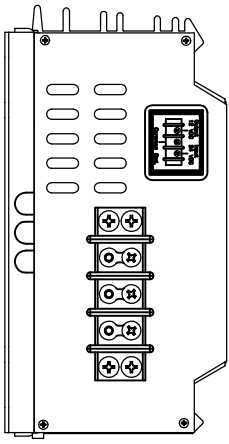
REV	ECN	ZONE	DESCRIPTION OF CHANGE(S)	DATE	CHANGED
Rev-0			INITIAL RELEASE	5-14-14	DPC
Rev-1			Update Drawing	7-25-16	DPC
Rev-2			Update Drawing	10-15-16	DPC/JRM
Rev-2a			Corrected Altitude Spec	09-18-17	DPC/JRM



**ONE STAR AVIATION CORP.**  
 604 S. Wisteria St.  
 Mansfield, TX 76063  
 817-633-6103  
 817-633-6208  
 www.lonestaraviation.com

**CAUTION**  
 Do not touch the live electrical parts of the converter. Shock, fire, explosion, or personal injury may result.

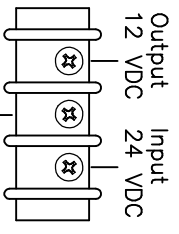
Model: LS03-05000-400  
 SERIAL NUMBER 001-XXXX



**Product Specifications:**  
 Input Voltage (Nom): 25.5v DC  
 Input Current: 16.5 Amps  
 Output Voltage: 13.6v DC  
 Output Current: 30 Amps (Cont.)  
 Ripple: <50mV RMS  
 Efficiency (30 A): 92%  
 Internal Cooling: Convection  
 Physical Dimensions: 7.00W x 7.80D x 3.60H  
 Weight: 6lbs  
 Input Fuse: (1) x 20 Amps  
 Output Circuit Breaker: (1) x 35 Amps (recommended)

**Product Limitations:**  
 Input Voltage Range: 22v-30v DC  
 Input Current (Max): 16.5 Amps  
 Output Voltage Range: 13.6v-13.8v DC  
 Output Current (Max): 30 Amps  
 High Temperature: +60°C max  
 Low Temperature: -40° C min  
 Circuit Protection: OT, OC, OV, UV  
 Humidity: <95%, non condensing  
 Temperature: -40°C to + 60°C  
 (no derating)  
 Shock: (-15% per 10°C > 40°C)  
 20g (3 axis)  
 Vibration: 5 - 100 Hz  
 Max. Altitude: 19,685 ft (6000 meters)  
 TSO Category: C71 Pending  
 COTS: DC Converter Step Down  
 MIL STD 810: Humidity, Shock, Vibration

- Main Power Electrical Connections:**
1. Mount on sturdy surface with adequate ventilation. (Rubber feet are optional)
  2. Recommended output circuit breaker of 35 Amps and on device label:
  3. Complete connections as per illustration below
  4. Input Wire: > 14 AWG  
 Output +12v DC, Common Ground, Input +24v DC  
 Output Wire: > 12 AWG



**Equipment Inspection: Annual**  
 Visual inspection for the following:  
 1. Check all mounting hardware.  
 2. Check Terminal Strip hardware.  
**Damaged Equipment Procedure:**  
 If equipment fails to operate to mfg. specification call LSA for service.

Item	Description	Quantity
1	AN 526 Screw, #12	4
2	AN 960 Washer, #12	4
3	AN356 Locknut, #12	4
4	Flubber Feet (optional)	4

ITEM #	QTY.	PART NO.	DESCRIPTION
UNLESS NOTED OTHERWISE TOLERANCE BLOCK DIMENSIONS ARE IN DECIMALS ANGULAR DECIMALS ±.030 ANGULAR ±.015 XXXX ±.0005			
DID NOT SCALE DRAWING			
MATERIAL		DRAWN BY	
.040 Alum Heatsink		DPC	
.040 Steel Base		APPROVED BY	
FINISH		JRM	
.040 Alum Heatsink		NEXT ASSY.	

DATE	7-26-16
SCALE	1/1
GMF: FILE	

TITLE	DC Down Converter
SIZE	400 Watt Install
DRAWING NO.	LS03-05000-400
REV	REV-2a

