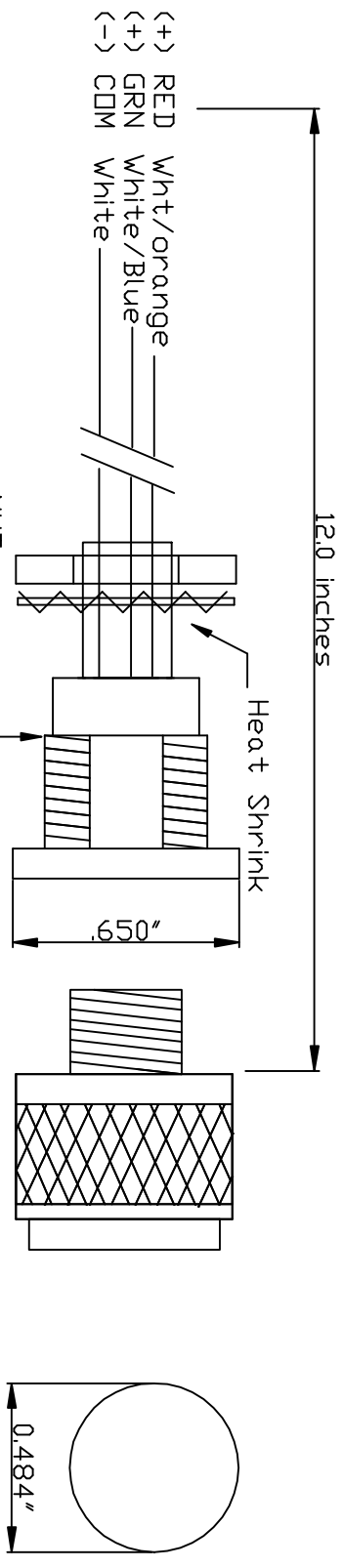


Lone Star Aviation, Corp.  
 604 S. Wisteria Street  
 Mansfield, Texas 76063  
 682-518-8882  
 682-518-8831 fax

| REVISION BLOCK |       |      |                          |        |          |
|----------------|-------|------|--------------------------|--------|----------|
| REV            | ECN # | ZONE | DESCRIPTION OF CHANGE(S) | DATE   | APPROVED |
| REV-0          |       |      | Initial Release          | 8-9-13 | JRM      |



12.0 inches  
 Heat Shrink  
 Lock Washer  
 NUT  
 0.650"  
 15/32-32 THD  
 Maximum Panel Thickness 0.188"

Specifications:  
 Aluminum Body  
 Black anodized  
 Epoxy- Shock, vibration  
 LED - PCB Design  
 6-35 Volt Input  
 Dual Color:  
 RED LED - 655  
 Green LED - 563  
 Angle - 130 degrees  
 Lens - Clear

PART NUMBERS:  
 LS03-07300  
 LS03-07300A  
 LS03-07300B

DESCRIPTION:  
 Panel Indicator Red/Green  
 Panel Indicator Red/Amber  
 Panel Indicator Red/Blue

Included Hardware:  
 Internal Tooth Lockwasher  
 Hex Nut - 15/32 32 THD

| ITEM #                                                                                                                                                                                         | QTY. | PART NO.        | DESCRIPTION    |
|------------------------------------------------------------------------------------------------------------------------------------------------------------------------------------------------|------|-----------------|----------------|
| UNLESS NOTED OTHERWISE TOLERANCE BLOCK DIMENSIONS ARE IN INCHES DECIMALS ±1° ANGULAR                                                                                                           |      |                 |                |
| PROPRIETARY THIS DOCUMENT AND THE DATA DISCLOSED HEREWITH IS NOT TO BE REPRODUCED, USED, OR DISCLOSED IN WHOLE OR IN PART TO ANYONE WITHOUT WRITTEN AUTHORIZATION FROM LONE STAR AVIATION, INC |      |                 |                |
| MATERIAL                                                                                                                                                                                       |      | Alum 5052, .063 | APPROVED BY    |
| FINISH                                                                                                                                                                                         |      | NOTE 1          | DATE           |
| DRAWN BY                                                                                                                                                                                       |      | 8-9-13          | SCALE          |
| APPROVED BY                                                                                                                                                                                    |      | 8-9-13          | SIZE           |
| NEXT ASSY.                                                                                                                                                                                     |      |                 | DRAWING NO.    |
|                                                                                                                                                                                                |      |                 | LS03-07300-XXX |
|                                                                                                                                                                                                |      |                 | REV            |
|                                                                                                                                                                                                |      |                 | 0              |
|                                                                                                                                                                                                |      |                 | SHEET 1 OF 1   |



TITLE Panel Indicator  
 DUAL COLOR LED

8 7 6 5 4 3 2 1

DWG. NO. LS03-07300-XXX 1 of 1 REV. SH REV.